

# Test Box Twinlet F



MENNEKES test box for charging stations

- Type-2 and type-1 vehicle inlet
- Simulation of a charging process
- Test of system monitoring
- RCD test by using an external test instrument
- BNC connection point to check PWM signal

Technical changes reserved

**MENNEKES**  
Elektrotechnik GmbH & Co. KG  
Spezialfabrik für Steckvorrichtungen  
Aloys-Mennekes-Str. 1  
D-57399 Kirchhundem

Tel. +49 (0) 27 23 / 41-1  
Fax +49 (0) 27 23 / 41-2 14  
E-Mail [info@MENNEKES.de](mailto:info@MENNEKES.de)  
Internet [www.MENNEKES.de](http://www.MENNEKES.de)

Service by  
**MENNEKES®.**  
Always well  
informed.

Art.-Nr. 320013

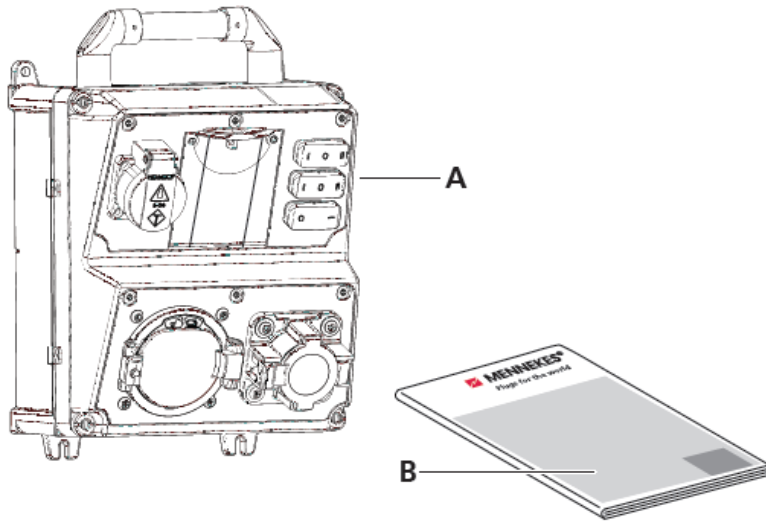
## Features

- Test box Twinlet for charging stations
- Suitable for type-1 and type 2 vehicle connectors
- Simulation of a charging process for an electric vehicle
- Setting options for vehicles with gasing and non-gasing batteries
- Simulation of a defective line
- Displays indicating failure of protective devices
- Check of rotating field
- Check for phase failure
- Check for undervoltage
- Check of PWM signal via external test instrument
- Simulating of an alternating current load via connected external consumers
- Residual current device test using an external test instrument
- Meter test via connected external consumers

**Technical Data**

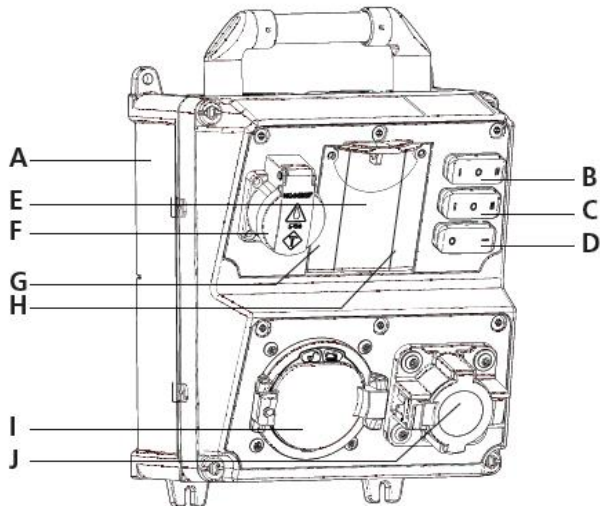
Type	Test Box Twinlet F
Part number	320013
Nominal voltage	230V AC / 400 V AC $\pm$ 10%
Nominal frequency	50 Hz
Nominal current	10A
Maximum backup fuse	80A
Protection class	IP 20
Dimensions (H x W x D)	260 x 225 x 165 mm
Weight	3,3 kg

## Delivery Contents



- A Test box
- B Operating manual

## Assembly



- A Basic enclosure
- B Rocker switch for selecting vehicle inlet
- C Rocker switch for ventilation requirement
- D Rocker switch for fault message
- E Fuse protection for SCHUKO® socket
- F SCHUKO® socket
- G System monitor
- H BNC connection point
- I Type-2 vehicle inlet (mode 3)
- J Type-1 vehicle inlet (mode 3)

Technical changes reserved

Art.-Nr. 320013