

# EVBox BusinessLine



## Business charging solution

Up to 22 kW per connector

Charges 2 cars simultaneously on a double station

Durable, weatherproof design and integrated electrical protections


Efficiently distributes power via (dynamic) load balancing

Scalable to include up to 20 charging points per Hub-Satellite network

 Wi-Fi and 4G LTE connection


 MID-certified kWh meter

 Built-in RCBO

 6 mA DC leakage protection

 Tariff settings for public charging

 Remote maintenance

 Easy installation, service and maintenance

[evbox.com](https://evbox.com)



## Technical features

**Max charging capacity**  
**Charge mode**  
**Output power**

Up to 22 kW per connector  
 Mode 3 (IEC 61851)  
 1-phase (32 A) or 3-phase (16 A or 32 A), 230V – 400V

## Interfaces

**Number of connectors**  
**Connector type**  
**Information status**  
**Session activation**

1 or 2  
 Type 2 sockets (with shutter option)  
 LED ring  
 RFID / QR code / Autostart

## Safety and connectivity

### Electrical safety

Integrated RCBO 16 A or 32 A / 30 mA AC leakage detection per outlet / CCID 6 mA DC leakage detection per outlet

### Maximum cluster size

10 double stations or 20 single stations (20 connectors)

### Mobile connectivity - Hub

4G LTE-FDD CAT1 (B1/3/7/8/20) / 3G WCDMA (Band 1/8) / GSM (900/1800 Mhz)

### Connectivity - Hub

Dual band Wi-Fi 2.4/5 GHz, Bluetooth 4.0 for configuration with the EVBox Connect app, GPS  
 GPS / Wi-Fi

### Time synchronization - Hub

OCPP 1.5 S / 1.6 S / 1.6 J

### Communication protocol - Hub

IEC 60529 / IP55 / IK08

### Enclosure rating

### Collision detection

Tilt sensor

### Operating temperature

-25°C to +50°C

### Operating humidity

Max. 95% RH, non-condensing

### Safety and compliance

CE certified, RED Directive 2014/53/EU, EMC Directive 2014/30/EU, Low Voltage Directive 2014/35/EU, RoHS Directive 2011/65/EU (as amended by 2015/863/EU), EN/IEC 61851-1 (2017), EN/IEC 61851-21-2 (2018), EN/IEC 61000-32 (2014), EN/IEC 61000-3-3 (2013), EN 301 489-1 V2.2.0, EN 301 489-3 V2.1.1, EN 301 489-17 V3.2.0, EN 301 489-52 V1.1.0, EN 301 908-1 V11.1.1, EN 301 511 V12.5.1, EN 300 330 V2.1.1, EN 300 328 V2.1.1, EN 301 893 V2.1.1, EN 300 220-1 V3.1.1, EN 300 220-2 V3.1.1

## Metering

### Smart energy management

S-Bus MID certified class B  
 Adjusting max. current, charging profiles, dynamic load balancing (via MAX protocol)

## Physical properties

### Dimensions, mm (W x H x D)

600 x 255 x 205 mm (single socket)  
 600 x 255 x 410 mm (double socket)  
 10 kg excluding packaging (single connector)  
 12 kg excluding packaging (double connector)

### Weight

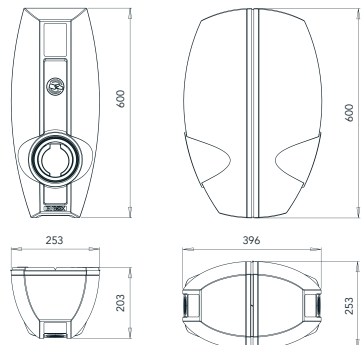
### Mounting

Wall or pole  
 Polycarbonate

### Housing

### Cover colors

RAL 7016 (dark grey), RAL 9016 (white), RAL 5017 (blue)



Dimensions in mm

Copyright © 2020 EVBox Manufacturing B.V. EVBox® and the EVBox logo are registered trademarks. All rights reserved. EVBox has compiled this document to the best of its knowledge but does not warrant that all information provided is error-free; EVBox does not accept liability in that respect. All specifications are approximates only. The limited warranty conditions are stated in the applicable EVBox general terms and conditions. EVBPI\_BL\_EN\_042020 © EVBox Manufacturing B.V.